

POWERFLEX®

PART NUMBER

PFF26-102

DESCRIPTION

Front Wishbone Rear Bush

INSTALLATION GUIDE

Contents (parts per pack):

2 x Polyurethane Bushes 2 x Outer Shells
2 x Stainless Steel Sleeves 1 x PTFE/Silicone Grease

Please read the complete fitting instructions and check package components before fitment. These fitting instructions are to be used as a guide and in conjunction with workshop manual.

It is recommended that:

- all work to be carried out by a licensed technician;
- all safety precautions adhered to;
- wheel alignment to be checked and adjusted as required after any suspension work.
- All fasteners must be tensioned to manufacturer's torque settings.

Fitting Instructions:

1. Remove the wishbone from the vehicle and press out the original rubber bush, including its outer shell.
2. Clean any dirt and corrosion from the bore of the arm and remove any sharp edges or burrs with a rounded file.
3. Press the outer shell into the upper side of the arm as shown in Fig 1. Make sure the shell is square to the arm and it is pressed in with the leading edge first until the shell is flush with the radiused portion of the arm.
4. Press the polyurethane bush into the outer shell as shown in Fig 1.

Tip: Apply some washing up to the bore of the shell and the chamfer of the bush to ease fitment.

5. Apply some of the supplied grease to the bore of the bush and press the sleeve into the bush until flush with both end faces.
6. Refit the wishbone to the vehicle and tension all hardware to the manufacturer's recommended torque settings

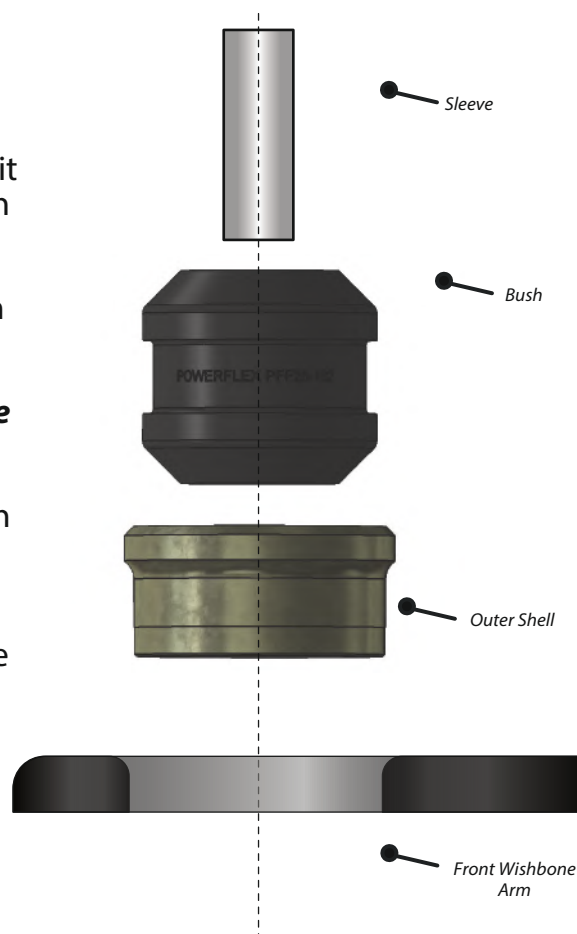


Figure 1



Figure 2